

# SNAP ACTION SWITCH

## Features

- Water-tight housing conforming to IEC IP67.
- Wide range of operating temperature from -40°C ~ +120°C.
- Gold crossbar contact and coil spring offer long life expectancy and high reliability.
- RoHS compliant.



## Applications

• Automotive Door Latch, Steamer, Telephone, Air Conditioner, Humidifier, Alarm, Time Recorder, Security Device, Mixer & Chopper, Solder Gun, Neon Phone, Fax Machine, Joystick Water, Pump, Gas Detector, Pencil Sharpener, Money Sorter, Food Processor, Electric Knife, Juice Maker.

## Specifications

Item	Standard
Rating 6A 125V AC / 250V AC	6A 125V AC / 250V AC 0.1A 24VDC
Operating speed	0.1mm to 1 m/s (pin plunger models)
Operating frequency	Mechanical: 300 operations/min max. Electrical: 30 operations/min max.
Insulation resistance	100MΩmin. (at DC 500V)
Contact resistance (initial value)	50mΩmax. For terminal models 70mΩmax. For molded lead wire models
Dielectric strength	AC 1000V (50/60HZ for 1 minute)
Vibration resistance	Malfunction: 10 to 55Hz, 1.5-mm double amplitude Destruction: 1,000 m/s <sup>2</sup> {approx. 100G} max.
Shock resistance	Malfunction: 300 m/s <sup>2</sup> {approx. 30G} max.
Durability	Mechanical: 1,000,000 operations min. (60 operations/min) Electrical: 200,000 operations min.
Degree of protection	IP67
Protection against electrical shock	Class 1
Ambient operating temperature	-40°C ~ +120° (without wire leads) -40°C ~ +105° (with wire leads)
Ambient operating humidity	95% max. (for 5°C to 35°C)

## Product Selection

SR □□□□-□□□  
1 2 3 4 5 6 7

### 1. CONTACT

- 0: Silver contact
- 1: Gold-plated contact

### 2. ACTUATOR TYPE

- 00: Pin plunger
- 01: Short hinge lever
- 02: Lever
- 03: Long lever
- 04: Simulated roller lever
- 05: Short hinge roller lever

### 3. TERMINAL TYPE

- A: Solder Type
- P: PCB Type
- C: Cable Type

### 4. CONTACT TYPE

- \_ : Change over three terminal
- 2: Push OFF two terminal
- 3: Push ON two terminal

### 5. Cable INFORMATION

- \_ : Wire UL1015, 24AWG
- A: 2 pole connector with wire

### 6. Cable Length

- \_ : 300mm
- Customized: Contact with sales person

### 7. CONTACT

- \_ : Without
- A: Bullet terminal

## Terminal Dimensions

Code	Solder Terminal	Code	Quick Connect Terminal (#110)
-A		-P	

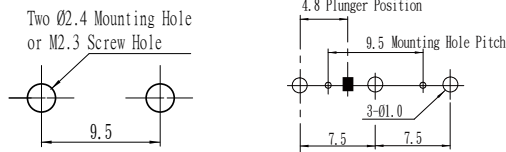
**HIGHLY**

B19

Design, specifications are subject to change without notice.

# SNAP ACTION SWITCH

## Mounting Hole For P.C.B.



## Mounting

All switches may be panel mounted using M2.3 mounting screws with plane washers or spring washers to securely mount the switch. Tighten the screws to a torque of 0.23 to 0.26 N•m {2.3 to 2.7 kg f□cm}□.

## Soldering

To solder the lead to the terminal, apply a soldering iron rated at 60 W max. (temperature of soldering iron:360°C max.) for no more than 5 seconds.

## Operating Characteristics

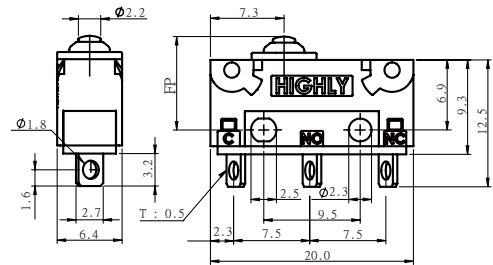
Unit: mm

Item Operating Characteristics Dimensions

SR0-00A



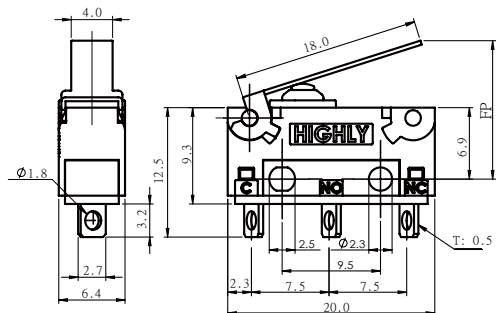
OF	max	200g.
RF	min	50g
PT	max..	0.8 mm
OT	min.	0.6 mm
MD	max.	0.1 mm
FP	max.	9.3 mm
OP	max.	8.4±0.5 mm



SR0-01A



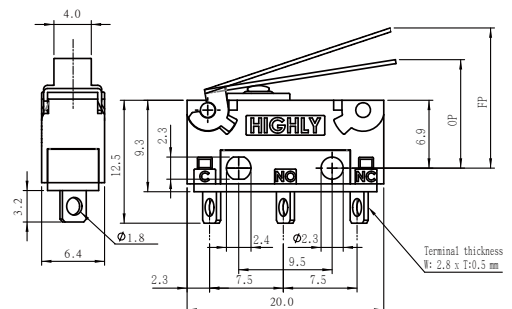
OF	max.	80g
RF	min.	15g
PT	max.	4.5 mm
OT	min.	1.5 mm
MD	max.	0.5 mm
FP	max.	13.4 mm
OP	max.	10.7±1.5 mm



SR0-02A



OF	max.	100g
RF	min.	20g
PT	max.	4.5 mm
OT	min.	1.5 mm
MD	max.	0.6 mm
FP	max.	13.8 mm
OP	max.	11±1.5 mm



**HIGHLY**

B20

Design, specifications are subject to change without notice.

# SNAP ACTION SWITCH

## Operating Characteristics

Unit: mm

Item

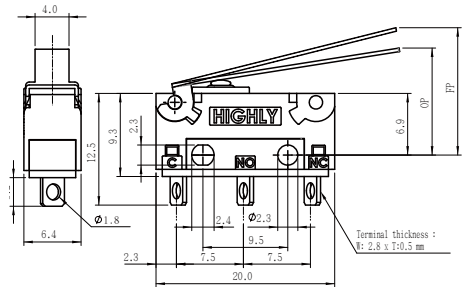
Operating Characteristics

Dimensions

### SR0-03A



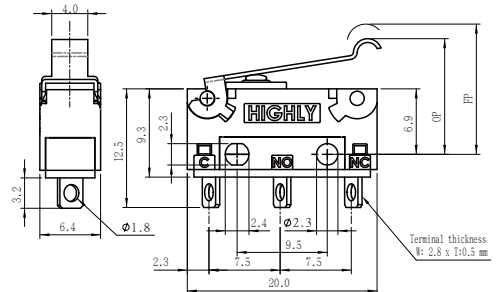
OF	max	100g.
RF	min	20g
PT	max..	4.5 mm
OT	min.	1.5 mm
MD	max.	0.8 mm
FP	max.	16.3 mm
OP	max.	11.5±1.5 mm



### SR0-04A



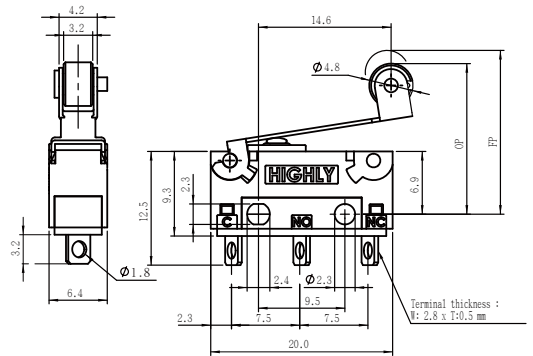
OF	max.	100g
RF	min.	20g
PT	max.	4.5 mm
OT	min.	1.5 mm
MD	max.	0.8 mm
FP	max.	14.6 mm
OP	max.	12.2±1.5 mm



### SR0-05A



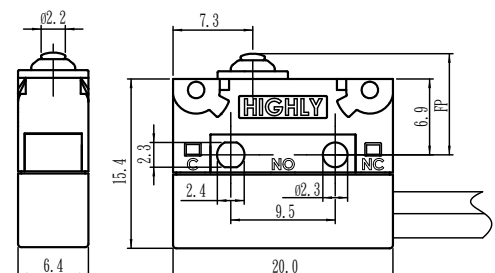
OF	max.	100g
RF	min.	20g
PT	max.	4.5 mm
OT	min.	1.5 mm
MD	max.	0.8 mm
FP	max.	19.5 mm
OP	max.	16.5±1.5 mm



### SR0-00C



OF	max.	200g
RF	min.	50g
PT	max.	0.8 mm
OT	min.	0.6 mm
MD	max.	0.15 mm
FP	max.	9.3 mm
OP	max.	8.4±0.5 mm



**HIGHLY**

B21

Design, specifications are subject to change without notice.