

LIMIT SWITCH

Features

- High precision and metal die-casting body.
- Easy to wire connection construction
- High mechanical strength
- Dust-proof construction



Specifications

Item	Standard
Rating	10A, 125V or 250VAC
Contact Resistance	25mΩ max. (initial)
Insulation Resistance	100MΩ min. (at 500VDC)
Dielectric Strength	1,000VAC, 50/60Hz for 1 minute
Service Life Mechanically	1,000,000 operations min.
Service Life Electrically	100,000 operations min.

Product Selection

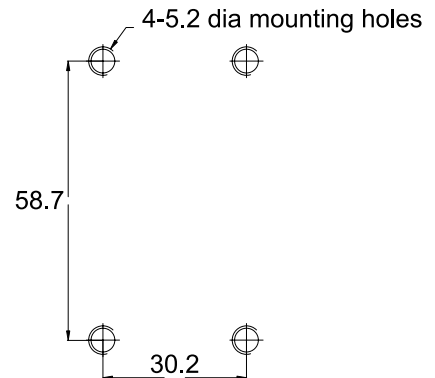
WL□

1

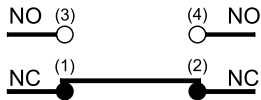
1. HEAD AND ACTUATOR

- 5101: Push plunger type
- 5102: Roller plunger type
- 5104: Roller arm type
- 5105: Duple roller arm type
- 5106: Wobble stick type
- 5107: Rod lever type
- 5108: Adjustable roller arm type (standard roller)
- 5109: Push plunger type

Mounting Hole



Contact Configuration



HIGHLY

C1

Design, specifications are subject to change without notice.

LIMIT SWITCH

Operating Characteristics

Unit: mm

Item

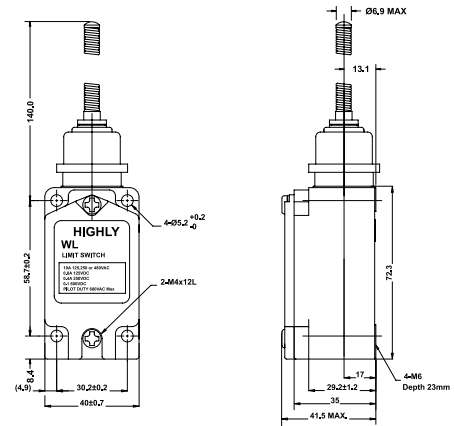
Operating Characteristics

Dimensions

WL5106



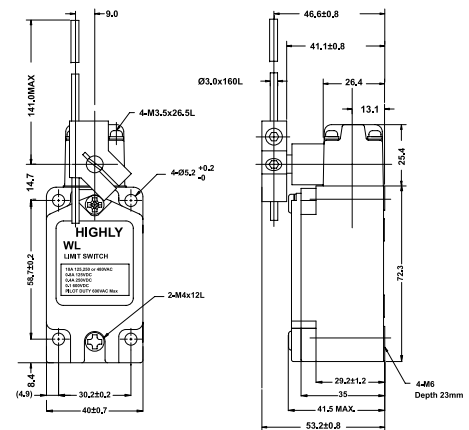
OF max.	150g
RF min.	--
PT max.	28 mm
OT min.	28 mm
MD max.	--
TF max.	--
TT/OP min.	--



WL5107



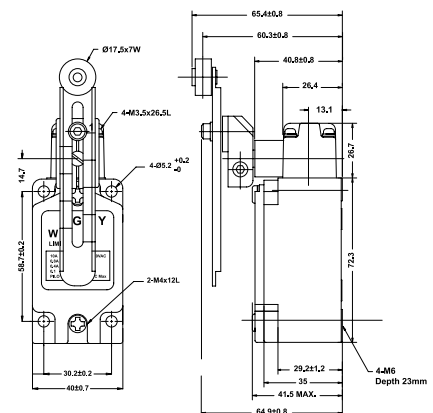
OF max.	1,360g
RF min.	227g
PT max.	22°
OT min.	30°
MD max.	12°
TF max.	2,720g
TT/OP min.	50° *



WL5108



OF max.	1360g
RF min.	227g
PT max.	20°
OT min.	30°
MD max.	12°
TF max.	2720g
TT/OP min.	50°



HIGHLY

C3

Design, specifications are subject to change without notice.

