

# HIGHLY CONTROL UNITS

## LED PILOT LAMP

### Structure Description

#### Mounting Holder

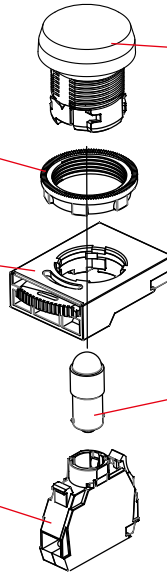
Mounting adapters available to make  $\phi 22\text{mm}$  compatible to  $\phi 30\text{mm}$  Mounting diameter.

#### Mounting Ring

Smart mounting ring can carry with various push button type.

#### Contact Block

Slow-action: 1NC,1NO.  
Easy stackable contact block.  
Compatible With LED holder.  
Easy handling design.



#### Push Button

Several Emergency stop options  
Non-LED or LED options  
Several cap color options  
Alternate/Alternate with click/ Momentary  
/Pull and lock/Push-in lock/Key button options

#### S-9 LED LAMP

Several LED color options  
Several bulb voltage options  
AC.DC 24V  
AC.DC 110-120V  
AC.DC 220-240V  
AC 380-440V  
AC.DC 12V

### Product Selection

H□22-□ □

1 2 3

#### 1. SERIES

HPL22 Round Head  
HLD22 Flush Head

#### 2.CAP COLOR

R RED  
G GREEN  
Y YELLOW  
S BLUE  
O ORANGE  
W WHITE

#### 3.LED BULB VOLTAGE

HPL22		HLD22	
A	AC.DC 24V	A	AC.DC 24V
E	AC.DC 110-120V	E	AC.DC 110-120V
I	AC.DC 220-240V	I	AC.DC 220-240V
M	AC 380-440V	M	AC 380-440V
Y	AC.DC 12V		

### Operating Characteristics

Item

Description

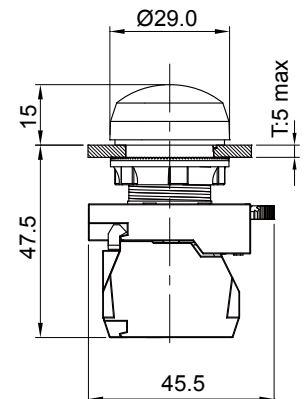
Dimensions

Unit: mm

#### HPL22



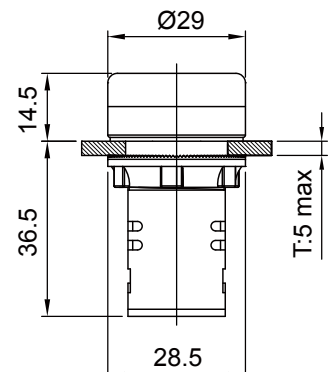
HEAD TYPE	ITEM	LED COLOR
HPL22: Round Head	HPL22-R□	RED
	HPL22-G□	GREEN
	HPL22-Y□	YELLOW
	HPL22-S□	BLUE
	HPL22-W□	WHITE



#### HLD22



HEAD TYPE	ITEM	LED COLOR
HLD22: Flush Head	HLD22-R□	RED
	HLD22-G□	GREEN
	HLD22-Y□	YELLOW
	HLD22-S□	BLUE
	HLD22-O□	ORANGE
	HLD22-W□	WHITE
HLD22-Y□	YELLOW	



HIGHLY

G10

Design, specifications are subject to change without notice.

# HIGHLYCONTROL UNITS

## Accessories

### CONTACT BLOCKS

CB-□

1

#### 1.CONTACT TYPE

10 1NO

01 1NC

SB Fixing base

A9 Bulb Holder

L Anti-Disturbance Bulb Holder



CB-10



CB-01



CB-SB



CB-A9



CB-L

### LED BULB

BS9-□ □

1 2

#### 1.LED COLOR

R RED

G GREEN

Y YELLOW

S BLUE

B BLACK

W WHITE

#### 2.LED BULB VOLTAGE

A AC.DC 24V

E AC.DC 110-120V

I AC.DC 220-240V

M AC 380-440V

Y AC.DC 12V



M TYPE



A.E.I.Y TYPE

### BUZZER

HBZ22-□

1

#### 1.VOLTAGE

A AC.DC 24V

E AC.DC 110-120V

I AC.DC 220-240V



### MOUNTING ADAPTOR SWITCHABLE

from 22mm to 30mm

HPB30



### TOOLS OF FABRICATING

02T



### TOOLS OF BULB FABRICATING

T2



**HIGHLY**

G11

Design, specifications are subject to change without notice.

# CONTROL UNITS

## Accessories

### PADLOCK COVER

HPB□-□

1 2

1.HOLDER TYPE

22 22mm

30 30mm

2.BUTTON TYPE

H 50mm

E 30mm



HPB22-H06L



HPB30-H06L



HPB22-E06L

### ANTI-MISTOUCH COVER

EM□-□

1 2

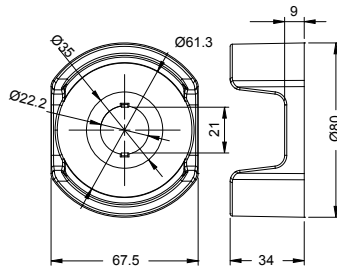
1TYPE

2.COLOR

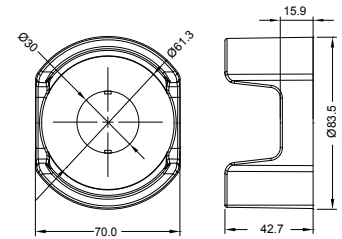
Y YELLOW

W WHITE

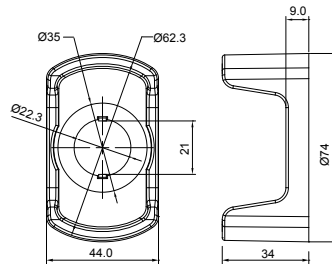
01



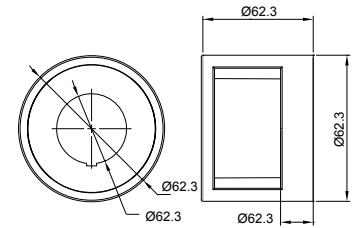
03



02



04



### CONTROL BOX

C□-□

1 2

1.CONTROL HOLE Q,TY

1 1 holder

2 2 holder

3 3 holder

4 4 holder

2.BOX COLOR

Y YELLOW

W WHITE



HIGHLY

G12

Design, specifications are subject to change without notice.