



PUSH BUTTON SWITCH SPECIFICATION

Product Number: HPB66BB

SW General		
Resetting type	Two ways	Pulling and Turning
Illuminated style	Full face or spot or without LED	Ring
Terminal type	DIP(through hole) or SMD or hand Soldering	Connector
Operating temperature	Normal humidity, normal press	-25~60°C
Outside dimension	Shall conform to the assembly drawings. (W*D*H)	Please see drawing
Contact Resistance	Applying a static load twice the actuating force to the center of the stem, measurements shall be made with low-current contact resistance meter.	500 milli ohm max (initial)
Insulation Resistance	Measurements shall be made following application of DC 100 V potential across terminals and across terminals and frame for one minute.	100 Meg ohm min
Operating Force	Placing the switch such that the direction of switch operation is vertical, the force to withstand a pull applied opposite to the direction of stem operation.	Push to lock: 1100 gf Pull to reset: 900 gf Turn to reset: 1700 gf-cm
Total travel	Placing the switch such that direction of switch operation is vertical and then applying a static load twice the actuating force to the center of the stem, the travel distance for the stem to come to a stop shall be measured.	4.5 mm
Mechanical life	Without resistive load. Rate of operation: 5 to 6 operations per minute.	100,000 Cycles Min.
IP Code	IEC 60529 Edition 2.2:2013	Front Panel IP65 (forHPB66BBO□) Front Panel IP40 (forHPB66BBB□)

SW Contact Rating						
Rated Insulation Voltage (Ui)				250V		
Rated Thermal Current (Ith)				5A		
Rated Operating Voltage (Ue)				30V	125V	250V
Rated Operating Current(Note)	Main Contacts	DC	Resistive Load(DC-12)	2A	0.4A	0.2A

Buzzer (forHPB66BBB□)		
Resonant Frequency		3100±300 Hz
Sound pressure level	Rated Voltage, Distance at 10cm	Min.85 dB(A)

Packaged		
Minimum Package Quantity (MPQ)	Quantity Plastic Tray / Taping reel / Plastic bag / Carton	1 pieces Carton



Material		
No	Part name	Material
1	Housing	PC
2	Diffuser	PC
3	Cap	PC
4	Rubber washer	Rubber
5	Front bezel	ABS

We reserve the right to modify technical data, without notice.

Pin Description

Pin	I/O	Function
1	I	VCC (12V)
2	I	referene down table
3	I	referene down table
4	I	referene down table
5	I	GND (Ground)
6	I	DIN (Data Input)
7	I	Switch
8	O	Switch Common

(ForHPB66BBB)

Pin select short			Not Triggered	Triggered
2	3	4		
x	x	x	Green	Red Led+Buzzer
●	x	x	Green	Explosion Flash Red White Led+Buzzer
x	●	x	Ring Green	Red Led+Buzzer
●	●	x	Ring Green	Explosion Flash Red White Led+Buzzer
x	●	●	Breath Green	Red Led+Buzzer
●	●	●	Breath Green	Explosion Flash Red White Led+Buzzer

NOTE X : Not Connector
● : Connector Pin 6
Pin 6 High Triggered, Low Not Triggered

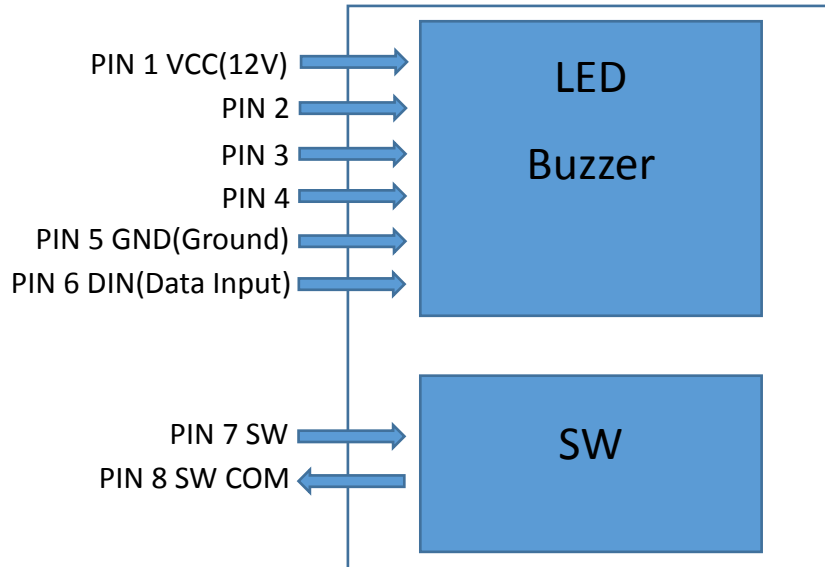
(ForHPB66BB0)

Pin select short			Not Triggered	Triggered
2	3	4		
x	x	x	Green	Red Led
●	x	x	Green	Explosion Flash Red White Led
x	●	x	Ring Green	Red Led
●	●	x	Ring Green	Explosion Flash Red White Led
x	●	●	Breath Green	Red Led
●	●	●	Breath Green	Explosion Flash Red White Led

NOTE X : Not Connector
● : Connector Pin 6
Pin 6 High Triggered, Low Not Triggered

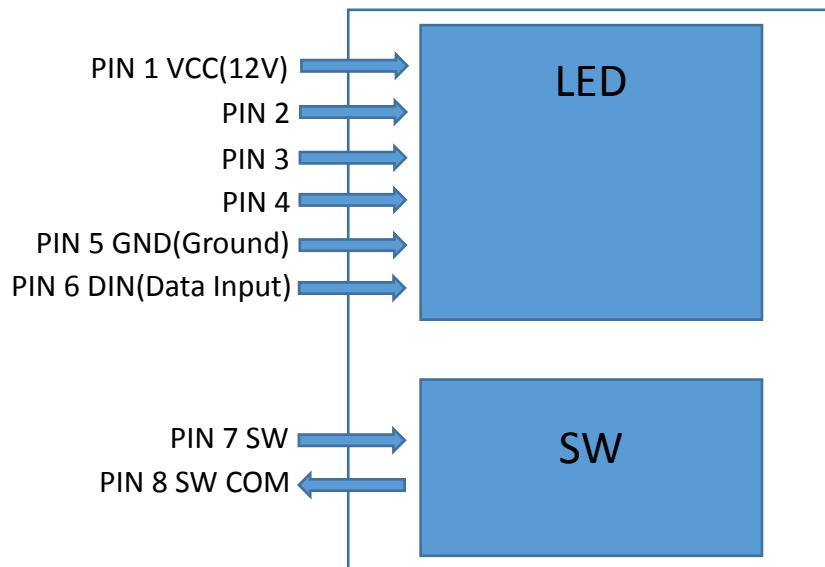
(For HPB66BBB)

Block Diagram



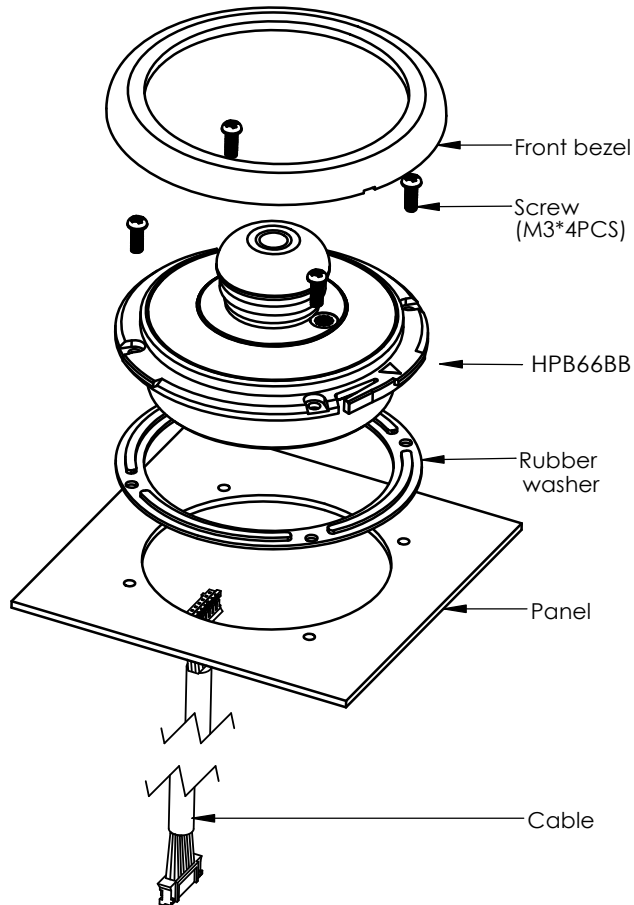
(For HPB66BB0)

Block Diagram

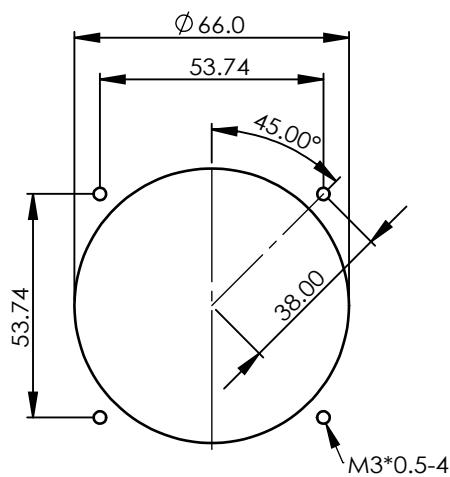




Installation Notes

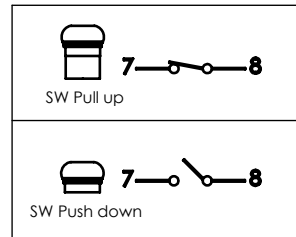
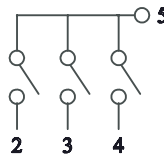
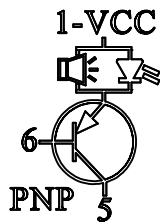
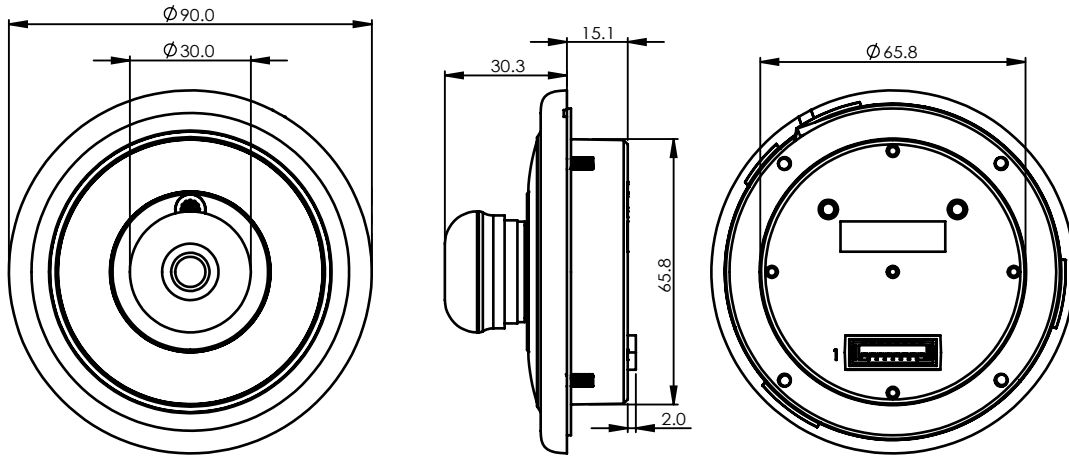


Panel cutting





Dimensions



Pin	I/O	Function
1	I	VCC (12V)
2	I	referene right table
3	I	referene right table
4	I	referene right table
5	I	GND (Ground)
6	I	DIN (Data Input)
7	I	SW
8	O	SW COM.

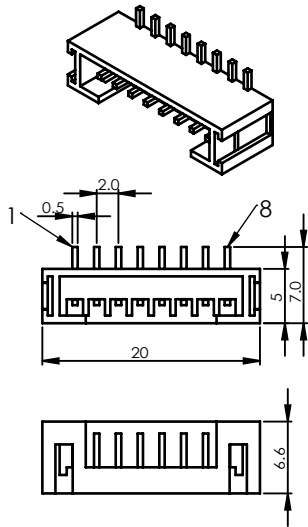
Pin select short			Not Triggered	Triggered
2	3	4	Green	Red Led+Buzzer
X	X	X	Green	Explosion Flash Red White Led+Buzzer
●	X	X	Ring Green	Red Led+Buzzer
X	●	X	Ring Green	Explosion Flash Red White Led+Buzzer
●	●	X	Breath Green	Red Led+Buzzer
X	●	●	Breath Green	Explosion Flash Red White Led+Buzzer
●	●	●	Breath Green	Explosion Flash Red White Led+Buzzer

NOTE: X:Not Connector
 ●:Connector to Pin 5(GND)
 Pin 6:Low=Triggered, High=Not Triggered

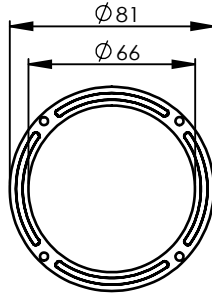
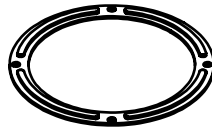


PUSH BUTTON SWITCH SPECIFICATION

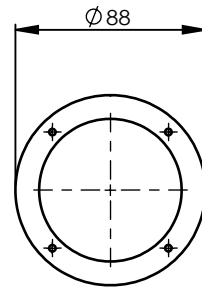
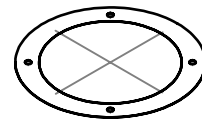
Product Number: HPB66BB



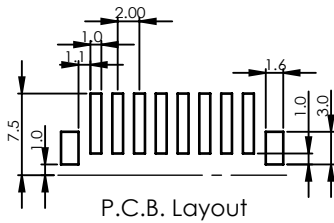
Connector
Part No: YCN018-A
SCALE: 2:1



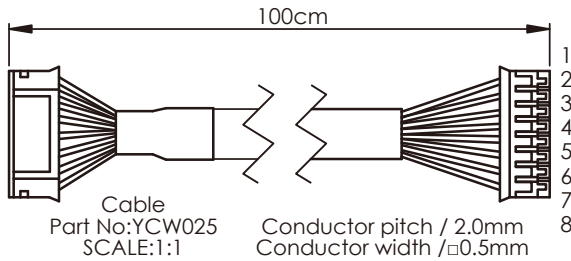
Rubber washer
Part No: YWA008
SCALE: 1:2



Drilling sticker
Part No: YSK003
SCALE: 1:3.5

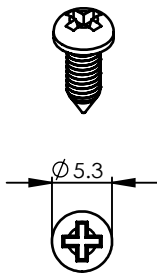


P.C.B. Layout

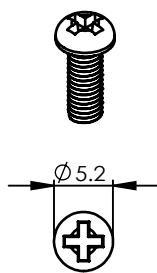


Cable
Part No: YCW025
SCALE: 1:1

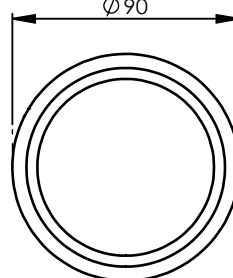
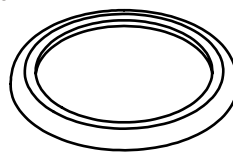
Conductor pitch / 2.0mm
Conductor width / □0.5mm



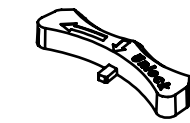
Tapping Screw
Part No: YSC019*4pcs
SCALE: 2:1



Machine Screw
Part No: YSC020*4pcs
SCALE: 2:1



Front bezel
Part No: YCA133
SCALE: 1:2



Key
Part No: YPA044
SCALE: 1:2